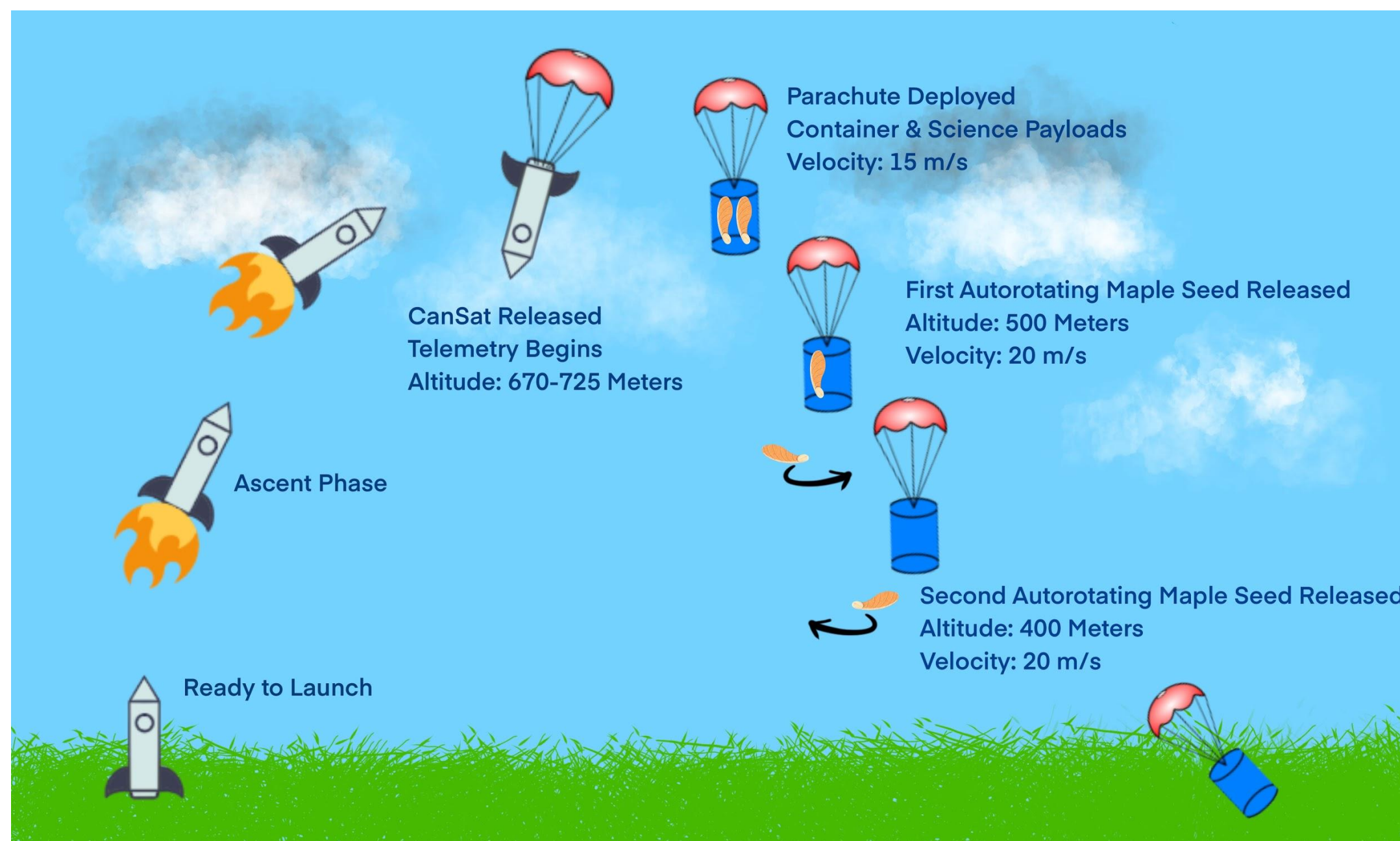


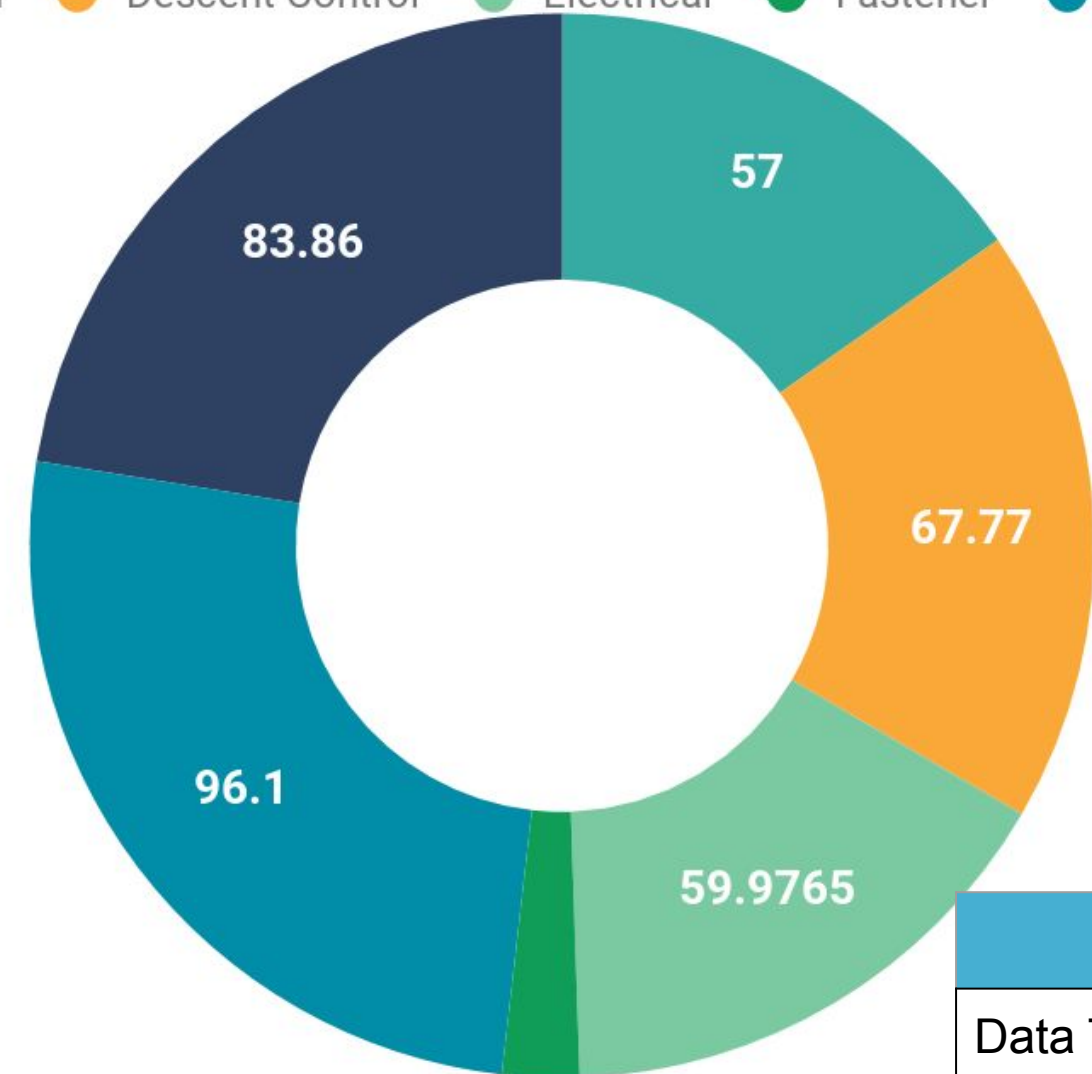
MISSION SUMMARY



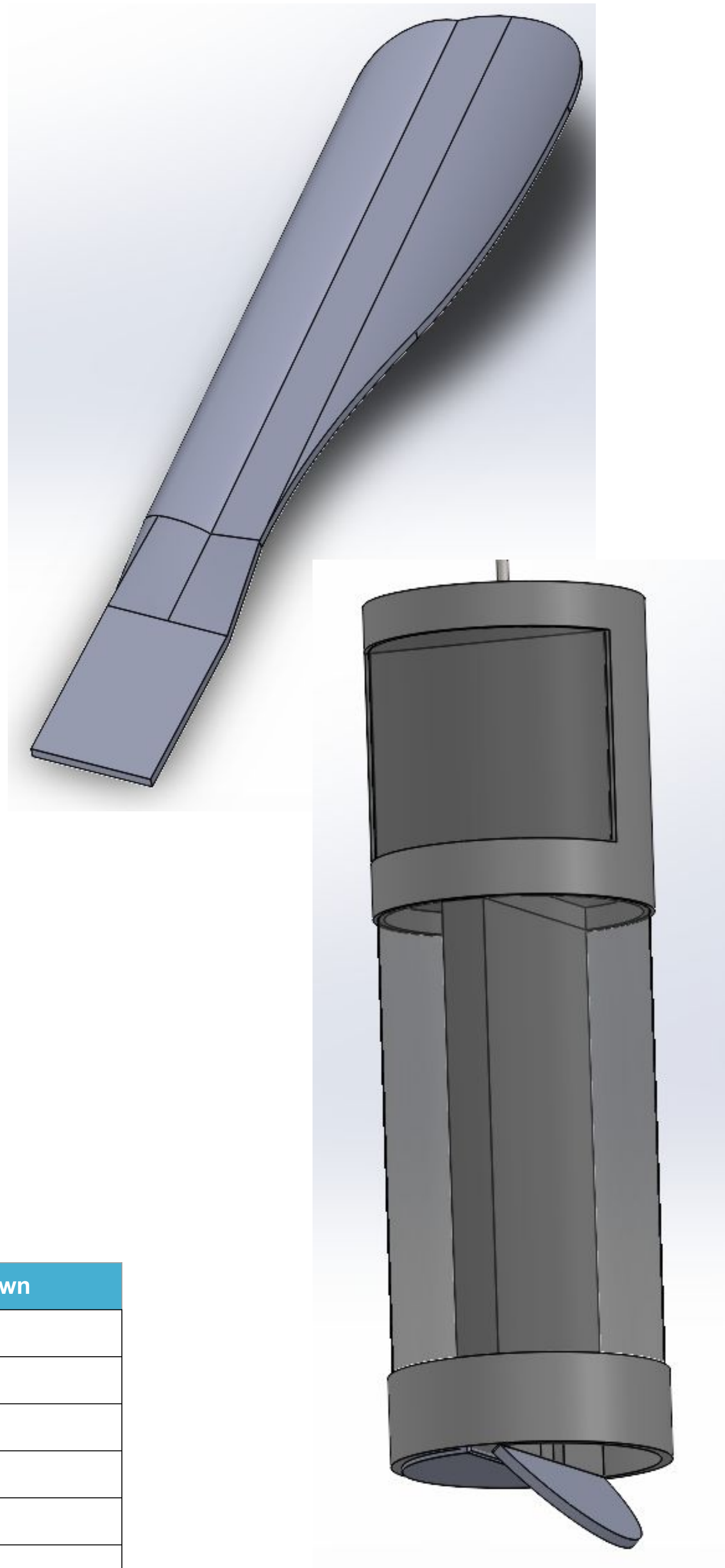
BUDGET

Estimate Total Budget 2019-2020 - \$373

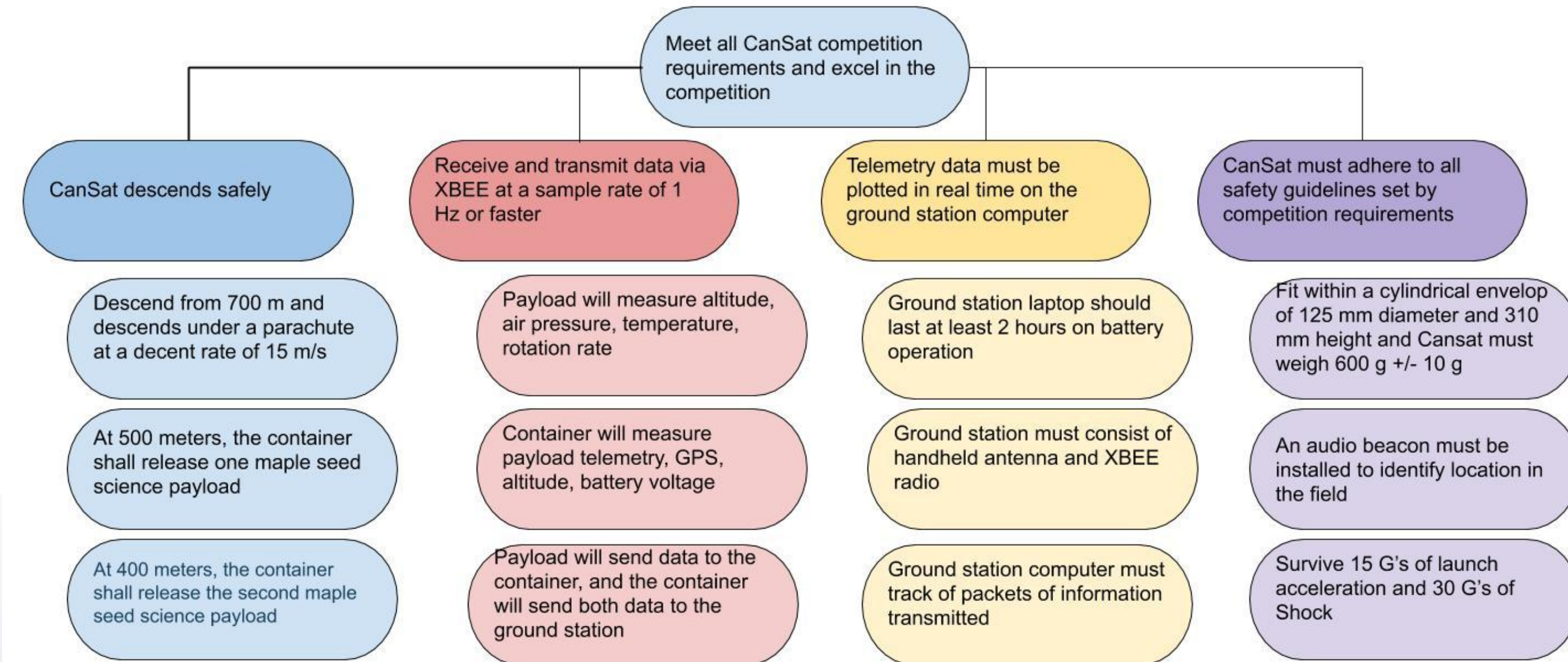
● Data Transmission ● Descent Control ● Electrical ● Fastener ● Sensor ● Structure



Engineering Cost Breakdown	
Data Transmission	\$57
Descent Control	\$67.77
Electrical	\$59.97
Fasteners	\$8.71
Sensor	\$96.10
Structure	\$83.86



OBJECTIVE TREE



TEAM

